

An Audio/Video switch that can handle just about anything you can throw at it. Component video? - no problem. Digital audio? - no problem. Want to switch it with IR? - no problem. Connect your PCs VGA output to your projector? - no problem



Features and Specifications:

**4 inputs, 1 output
Passive Switching Design.**

Video and analog audio signals pass through Silver Alloy with Gold plating relay contacts. The benefit of this is zero amplifier noise, zero gain or loss, and extremely high bandwidth (1080i and XGA resolutions). The passive design also means the signals can be routed backwards through the switch, so that up to four display devices can be switched to one source.

Each input has **Component Video**, L/ R Analog Audio, Digital Audio on Coax (**SPDIF**), and Optical Digital Audio (**Toslink**). Either digital audio input can be used, and the output drives both coax and optical with the same signal.

The **Left and Right Analog Audio** inputs are designed exactly the same as the Component video inputs, so they may also be used for high bandwidth signals such as **RGBHV** or **VGA** (some adapters to RCA plugs would be needed).

IR Remote Control Receiver. Control the HDS4 with just about any universal remote, or teach it the code of your choice from your existing remote. Full featured IR interface allows power on/off, bright/dim display, direct channel selection, channel up/down.

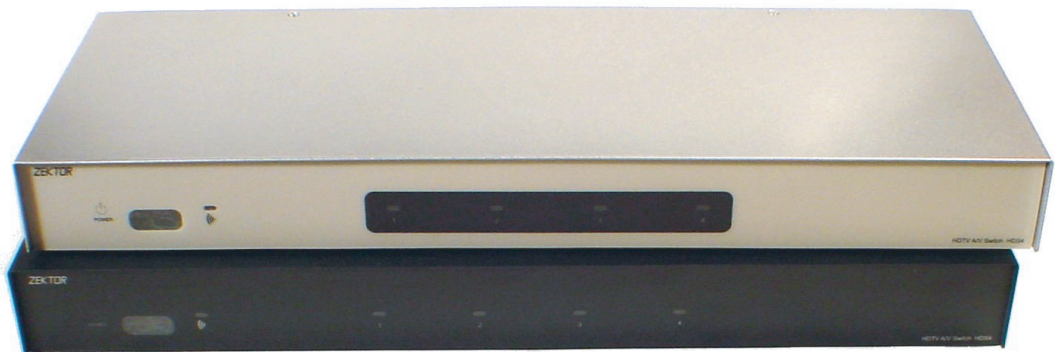
Auto Dimming Display. The LED indicator lights can be set to bright, dim, or auto mode. Auto mode will fade the LEDs to half power after a channel is selected

Full Size Metal Enclosure for better integration into your system.

Rack Mountable, 1RU (Rack mount ears available in black only, sold separately)

Gold Plated Signal Connectors.

MSRP \$299



Specifications

Analog Video and Audio Section

All five signal paths (Y, Pr, Pb, L, R) are switched passively, and have similar performance.

Average Loss at 37MHz -0.3dB
 Unselected channel termination 75 ohms

Power Requirements

Wall mount power supply input 120VAC
 60Hz 15W, UL listed
 Power supply output/HDS4.2 input 9VDC
 500mA, 2.1mm DC coax plug (center positive)

Digital Audio

SPDIF input: Termination 75 ohms
 Nominal Voltage 500mV
 Minimum Voltage 200mV
 Modes PCM,

DD5.1, DTS
 Toslink input Modes PCM,
 DD5.1, DTS

SPDIF Output: 500mV

Physical

Chassis Construction
 Steel chassis, Lexan front panel
 Dimensions W 16.75" x D 6.5" x H 1.75"
 Weight 4.1 lbs
 Shipping Weight 5.65 lbs

Options

Rack Ears (black only)

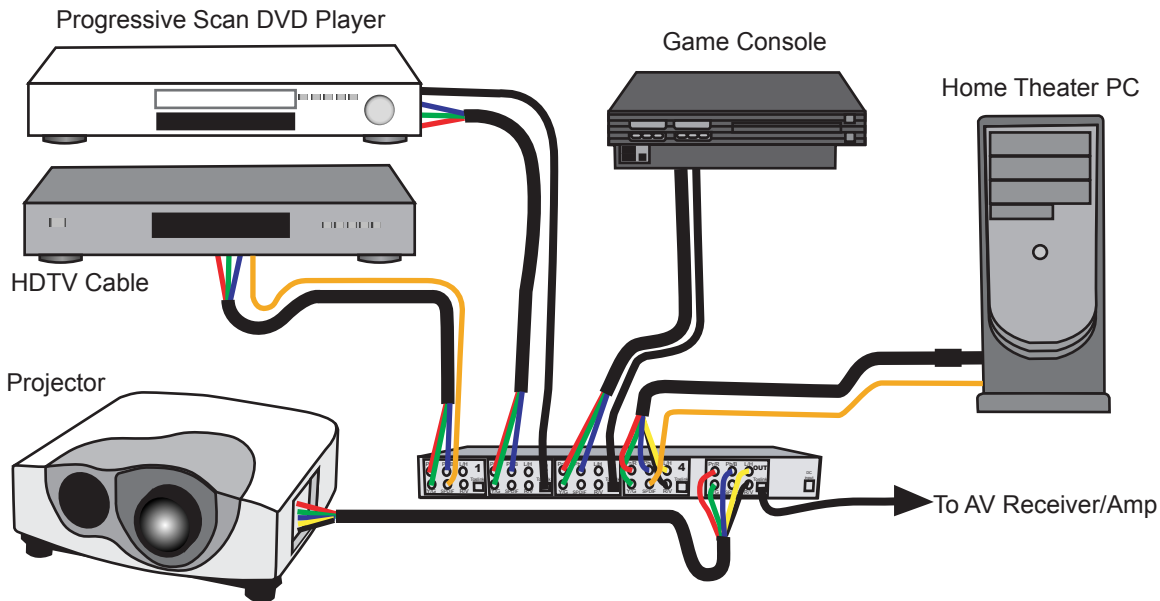
The HDS4 is available in black or silver finish

IR Receiver

Range up to 100'

IR frequency 38KHz
 (Can learn up to 56KHz with less range)

Typical Application of the HDS4



ZEKTOR products are available at:

